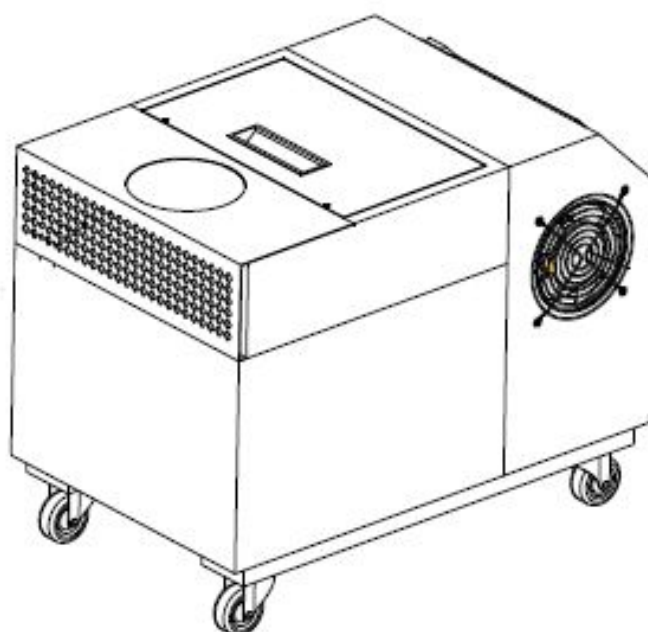


HANGZHOU CONLOON ELECTRIC CO.,LTD

## ULTRASONIC HUMIDIFIER

### USER MANUAL



Please keep this manual for further reference

Dear customers:

Thank you for selecting this humidifier . This manual will show you the proper use and maintenance of this humidifier. Please take a few minutes to read this manual to become familiar with the entire performance.

## SAFETY INFORMATION

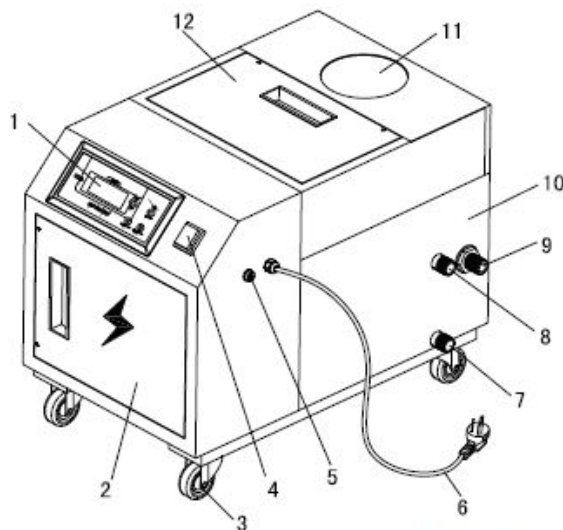
1. Carefully read the instruction manual and pay attention to the following safety instructions.
2. Keep the construction manual for future reference.
3. This machine could only used inside the room.
4. Air switch specifications :3A
5. Check whether the mains voltage matches the one on the label of the device.
6. Do not pull the mains plug in order to unplug the device from the socket.
7. The socket has to be earthed and appropriately secured.
8. Repairs must be carried out by qualified experts with appropriate knowledge about the product.
9. Do not use adapter, additional connections or connecting plugs to connect the device with an electricity supply.
10. Unplug the device if it is not used for a longer period or you want to clean it
11. Make sure not to damage or run over cables when moving the device.
12. Unplug the device if problems like smell of burning occur while using it.
13. Only use an earthed standard socket with a 220-240V AC connection.
14. This appliance is not intended for use by persons (including children) with reduced physical,sensory or mental capabilities, or lack of experience and knowledge,unless they have been given supervision or instruction concerning use the appliance by a person responsible for their safety.

15. Children should be supervised to ensure that they do not play with the appliance.

16. If the supply cord is damaged, it must be replaced by the manufacturer, its service agent or similarly qualified persons in order to avoid a hazard.

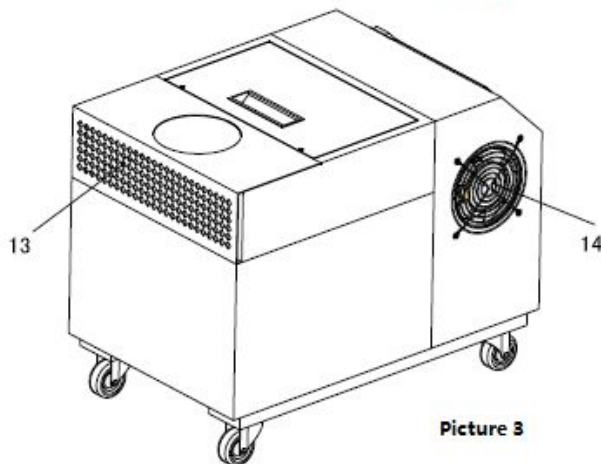
## PARTS LIST

### Overall structure Introduction



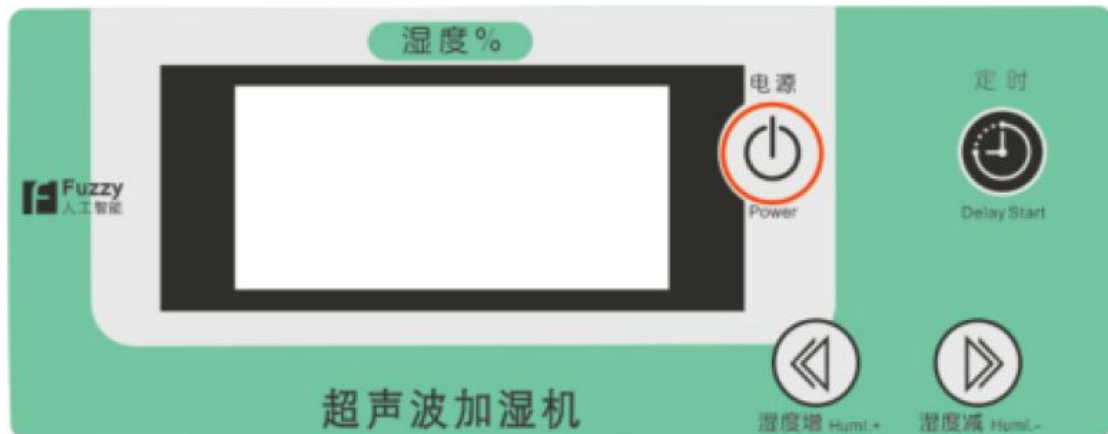
Picture 2

- 1、 Control board
- 2、 Electronic box
- 3、 Universal wheel
- 4、 Power
- 5、 Humidity sensor connector
- 6、 Power cord
- 7、 Water outlet
- 8、 Overflow
- 9、 Water inlet
- 10、 Water tank
- 11、 Mist outlet (  $\Phi 110$  )
- 12、 Top cover
- 13、 Air inlet
- 14、 Cooling fan



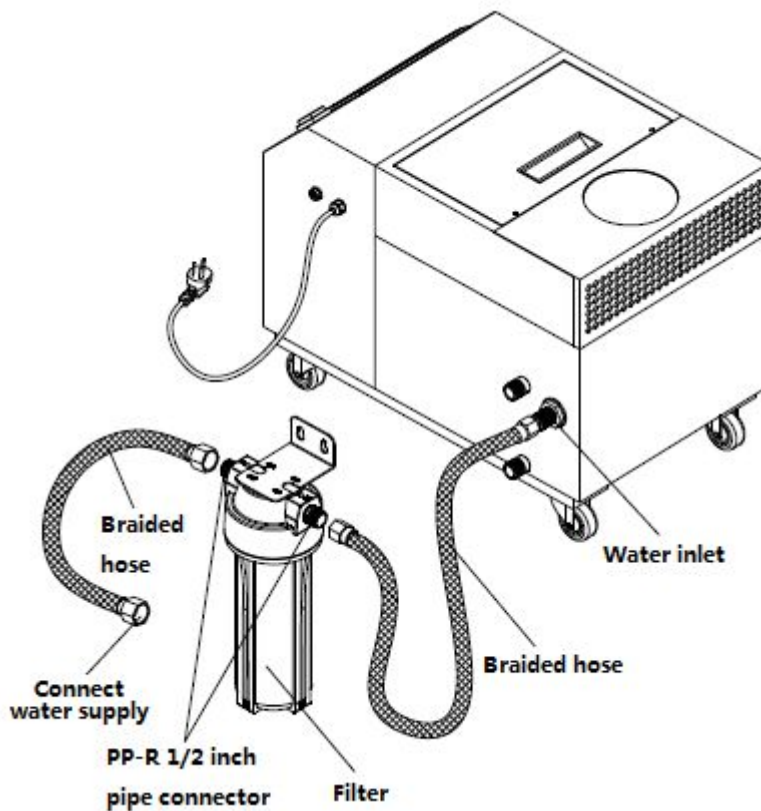
Picture 3

## KEYS AND DISPLAY SYMBOLS



1. Mechanical ON/OFF button: upwards status is manual mode, downwards status is auto mode, middle status is for cutting the power.
2. Power button : press once to turn on the machine, press once again to turn off the machine.
3. Humi+ : pressing to increase the setting humidity.
4. Humi-: pressing to decrease the setting humidity.
5. Delay start :
  - 1) keep the machine ON, press this button to set the time for turning off the machine, press Humi+ and Humi- button to adjust the time.
  - 2) Keep the machine OFF, press this button to set the time for turning on the machine. press Humi+ and Humi- button to adjust the time.
  - 3) when you set the timer for ON and OFF, the machine will be ON and OFF in return.

## PERIOD OF PROCESSING



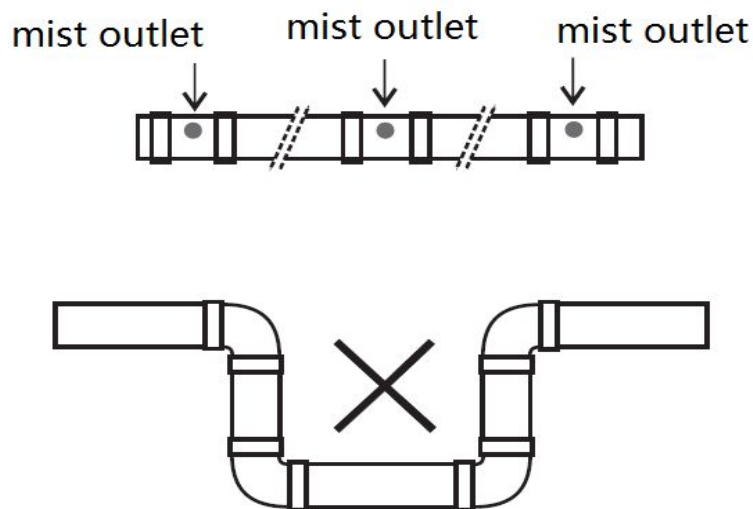
## OPERATING INSTRUCTIONS

1. Humidity setting : when the humidity reaches the setting value, the humidifier will stop working, when the humidity less than the setting value, the humidifier will start to work. Humidity setting range is 30-90%.
2. Water inlet system:when the system tests the water level is less than the safety level,the water will fill automatically. When the water reaches the max.level,it will stop filling the water.
3. Water tank cleaning: this humidifier has the alarm function to clean the water tank. When the machine runs for 200 hours in total,the display “CL” , that means you need to clean the water tank. After cleaning the tank, press Humi+ and Humi- button at the same time for 3 seconds. It will delete the alarm for CL, then the machine will enter the next clean alarm system
4. Mist return preventing: when the power connected, and when the machine stop every time, the fan will continue working for 60 second to flow the fog inside the tank, to prevent the mist inside the pipe to return to the machine.

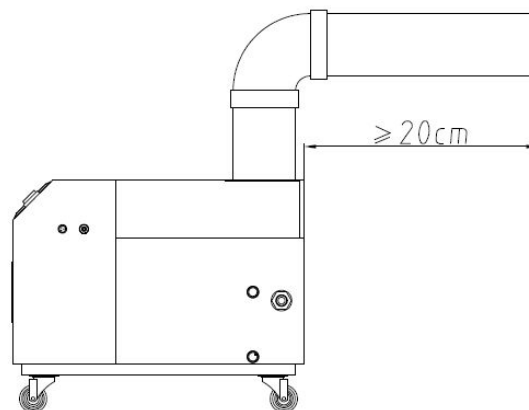
## Schematic diagram of mist pipe arrangement

It must be followed by the user manual when install the mist pipe . The connecting mouth must be sealed to prevent the water or air leaking. The pipes are flat to insure the mist pressure goes smoothly. To prevent the block in the middle to effect the mist volume.

In order to prevent the water drop from the mist outlet, the outlet should be placed to the PVC tube section center level up to 30 degrees. The diameter of the hole is about 1.5cm, the spacing of the holes is 80cm-200cm.see follow pictures.



Note: when you do not need to connect with mist pipe, it should be connect with bent PVC pipe to lead the direction of the mist. See following picture,the length of the bent pipe will be more than 20cm from the water drom to the machine. Otherwise, the water will fall down onto the machine to made the machine rusty or electronic fault. It is better not to place the machine inside the room which the humidifier work for and to use the pipe to work for the room .



## TECHNICAL INFORMATION

Model	Power	capacity	Control method	Mist outlet dia.	Dimension(mm)	N.W(kg)
JDH-03Z	215W	3 liter/hr	Manual+ auto	Φ110*1pc	350*510*405	18
JDH-06Z	300W	6 liter/hr	Manual+ auto	Φ110*1pc	350*510*405	20
JDH-09Z	515W	9 liter/hr	Manual+ auto	Φ110*2pc	430*530*425	26
JDH-12Z	600W	12liter/hr	Manual+ auto	Φ110*2pc	430*530*425	28

## IMPORTANT INSTRUCTION

- a. Water tank : please change the water inside the tank every 7 days.
- b. Clean tank: please clean the tank every 30 days,unplug the machine before clean the tank. Clean method: use screw driver to take off the screw of the top cover, use the soft cloth or soft brush to clean it, see following picture.

